

# IPC222E-IR-F60(120)-IN2MP Network IR Bullet Camera



## Key Features

### Optics

- Day/night functionality
- SmartIR, up to 30m (98 ft) IR distance
- Optical glass window with higher light transmittance
- IR anti-reflection window to increase the infrared transmittance
- 3D DNR (Digital Noise Reduction)

### Compression

- Dual streams
- ROI (Region of Interest)
- 9:16 corridor mode
- Customized OSD

### Network

- NAA (Network Auto-Adaptability) to cope with up to 5% network packet loss
- UNP (Universal Network Passport) patented technology for NAT traversal
- Dual direct-to-iSCSI data block storage
- ONVIF Conformance

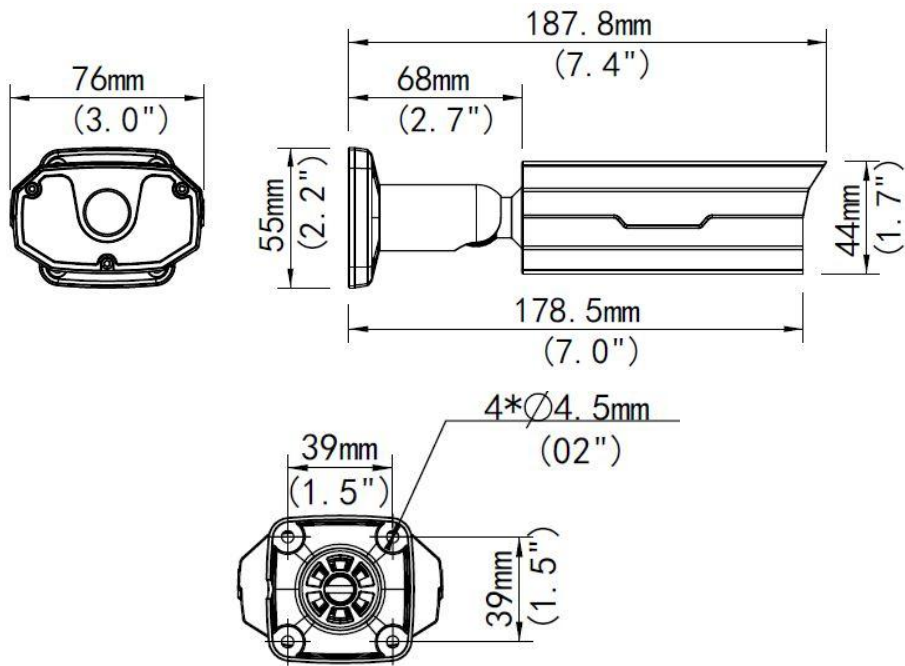
### Structure

- Wide temperature range: -30°C to 60°C (-22°F to 140°F)
- Wide voltage range of  $\pm 25\%$
- IP66-rated

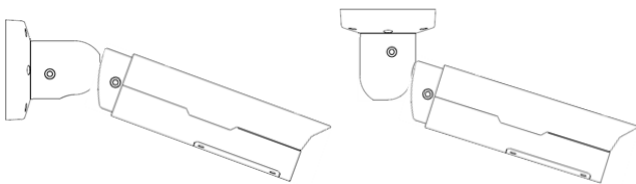
## Specifications

|                        | IPC222E-IR-F60-IN   | IPC222E-IR-F120-IN |
|------------------------|---|--------------------|
| <b>Camera</b>          |   |                    |
| Sensor                 | 1/2.8", 2Megapixel, progressive scan CMOS                                     |                    |
| Shutter                | Auto/Manual, 1/6~1/8000s  |                    |
| Lens                   | 6mm   | 12 mm              |
| Angle of View (H)      | 53.2°   | 28°                |
| Day/Night              | IR-cut filter with auto switch (ICR)  |                    |
| Min. Illumination      | Color: 0.06 Lux (F1.6, 50IRE)<br>Black & White: 0.03Lux (F1.6, 50IRE)         |                    |
| S/N                    | >52dB   |                    |
| Image Rotation         | Support   |                    |
| <b>Video</b>           |   |                    |
| Maximum Resolution     | 1920 × 1080   |                    |
| Video Compression      | H.264,MJPEG   |                    |
| Frame Rate             | 1080P (1920*1080) 30 fps; 720P (1280*720) 30 fps; D1 (720*576) 25 fps         |                    |
| 9:16 Corridor Mode     | Support   |                    |
| ROI                    | Support   |                    |
| Video Streaming        | Dual  |                    |
| OSD                    | Up to 8 OSDs  |                    |
| Privacy Mask           | Up to 4 areas   |                    |
| <b>Audio</b>           |   |                    |
| Audio Compression      | G.711   |                    |
| Two-way Talking        | Support   |                    |
| <b>Storage</b>         |   |                    |
| Back-end Storage       | Dual direct-to-iSCSI data block storage                                       |                    |
| <b>Network</b>         |   |                    |
| Protocols              | L2TP,IPv4,IGMP,ICMP,ARP,TCP,UDP,DHCP,PPPoE,RTP,RTSP,Qos,NTP,FTP,HTTP,SNMP,SIP |                    |
| Compatible Integration | ONVIF, IMOS,API   |                    |
| <b>Interface</b>       |   |                    |
| Audio I/O              | Audio cable   |                    |
|                        | Input: impedance 35 kΩ; amplitude 2 V [p-p]                                   |                    |
|                        | Output: impedance 600 Ω; amplitude 2 V [p-p]                                  |                    |
| Alarm I/O              | 1/ 1  |                    |
| Network                | 10M/100M Base-TX Ethernet   |                    |
| <b>General</b>         |   |                    |
| PowerSupply            | 12 V DC, or PoE (IEEE802.3af)   |                    |
|                        | Power consumption: 3.5 W (withIR on: extra 4 W)                               |                    |
| Dimensions (L × W × H) | 187.8 × 76 × 44 mm (7.4" × 3.0" × 1.7")                                       |                    |
| Weight                 | 0.58 kg (1.3 lb)  |                    |
| Working Environment    | -30°C ~ +60°C (-22°F ~ 140°F), Humidity ≤ 90% RH(non-condensing)              |                    |
| Ingress Protection     | IP66  |                    |

## Dimensions



## Installation



Wall mount

Ceiling mount

## Accessories

| Installation mode | Accessories  | Description |
|-------------------|--|-------------|
| Wall mount        | Mounting pedestal is included in the Product package |             |
| Ceiling mount     | Mounting pedestal is included in the Product package |             |

### Zhejiang Uniview Technologies Co., Ltd.

South Tower, Building 10, Wanlun Science Park, 88 Jiangling Road, Hangzhou, P.R.China 310051

Email: [overseasbusiness@uniview.com](mailto:overseasbusiness@uniview.com); [globalsupport@uniview.com](mailto:globalsupport@uniview.com)

<http://www.uniview.com>

©2013 Zhejiang Uniview Technologies Co., Ltd. All rights reserved.

\*Product specifications and availability are subject to change without notice.