

NVR204E Series Network Video Recorder



NVR204E Series

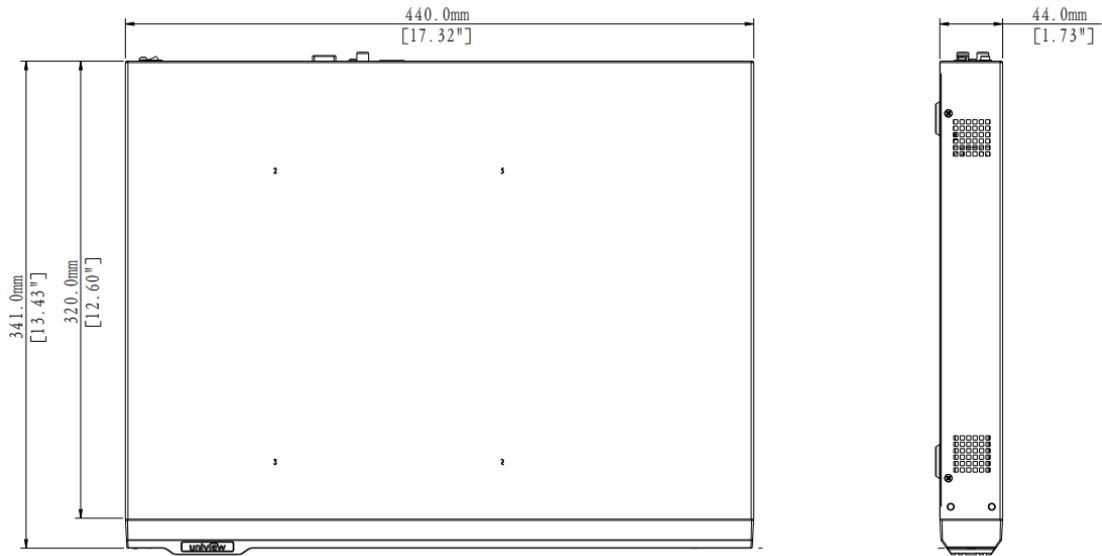
Key Features

- Up to 16/32 channel IP cameras input
- Third-party IP cameras supported
- Accurate retrieval, instant playback
- 16-ch 720P sync playback
- HDMI, VGA output up to 1080p
- 4 SATA HDDs up to 24TB
- Support for P2P, UPnP, NTP, DHCP, PPPoE
- Support for mobile client access

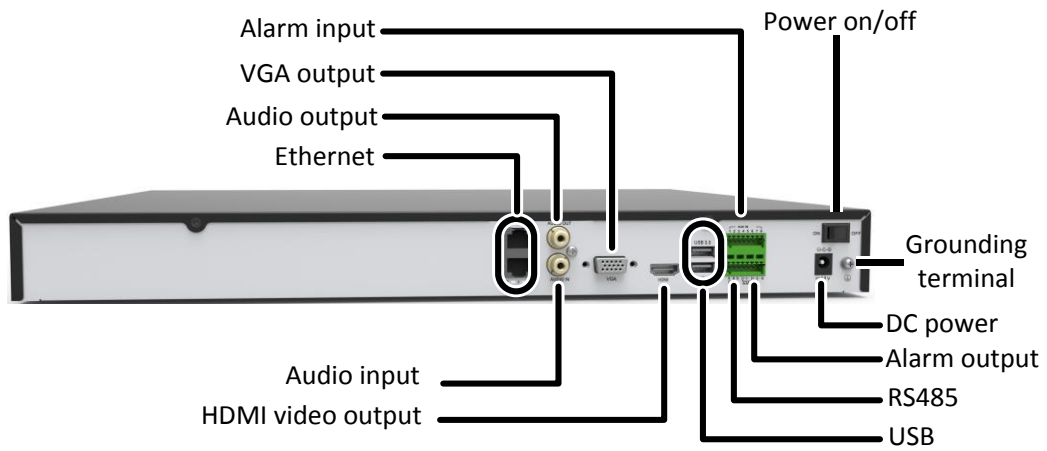
Specifications

	NVR204-16E	NVR204-32E
Video and Audio		
IP Video Input:	16-ch	32-ch
Two-way audio input:	1-ch,RCA	
Network		
Incoming bandwidth:	128Mbps	200Mbps
Outgoing bandwidth:	96Mbps	
Remote connection:	16	
Video/Audio Output		
HDMI/VGA output:	HDMI/VGA: 1920*1080P/60HZ,1920*1080P/50HZ,1600*1200/60HZ,1280*1024/60HZ,1280*720/60HZ,1024*768/60HZ	
Recording Resolution:	8MP@25、6MP@25、4MP@30、3MP@30、1080P@30、720P@30	
Audio Output:	1-ch,RCA	
Synchronous Playback:	16-ch	
Decoding		
Live view/ Playback:	8MP@25、6MP@25、4MP@30、3MP@30、1080P@30、720P@30	
Capability:	32 x D1@25, 16 x 720P@25, 6 x 1080P@25, 3 x 4MP@25, 2 x 4MP@30, 2 x 6MP@25, 1 x 8MP@25	
Hard Disk		
SATA:	4 SATA interface	
Capacity:	Up to 6TB for each disk	
External Interface		
Network Interface:	2 RJ-45 10M/100M/1000M adaptive Ethernet Interface	
USB Interface:	2 x USB2.0, 1 x USB3.0	
General		
Power Supply:	12VDC, 5A	
Consumption(without hard disk and POE):	≤6 W (without hard disk)	
Working Temperature:	-10°C ~ +55°C (+14°F ~ +131°F)	
Working Humidity:	10% ~ 90%	
Dimensions:	44.0mm × 440.0mm × 341.0mm (1.73" × 17.30" × 13.47")	
Weight(without HDD):	≤3KG	

Dimensions



Rear Panel



Zhejiang Uniview Technologies Co., Ltd.

South Tower, Building 10, Wanlun Science Park, 88 Jiangling Road, Hangzhou, P.R.China 310051

Email: overseasbusiness@uniview.com; globalsupport@uniview.com

<http://www.uniview.com>

©2015 Zhejiang Uniview Technologies Co., Ltd. All rights reserved.

*Product specifications and availability are subject to change without notice.