

IPC242ER5-DL 2MP WDR Low-light VF Network IR Bullet Camera



Key Features

Optics

- Lowlight surveillance
- Smart IR, up to up to 50m (164 ft) IR distance
- Up to 120 dB WDR (Wide Dynamic Range)
- Optical glass window with higher light transmittance
- IR anti-reflection window to increase the infrared transmittance

Compression

- Dual streams
- ROI (Region of Interest)
- 9:16 corridor mode
- Customized OSD

Network

- NAA (Network Auto-Adaptability) to cope with up to 5% network packet loss
- UNP(Universal Network Passport) patented technology for NAT traversal
- Dual direct-to-iSCSI data block storage
- ONVIF Conformance

Structure

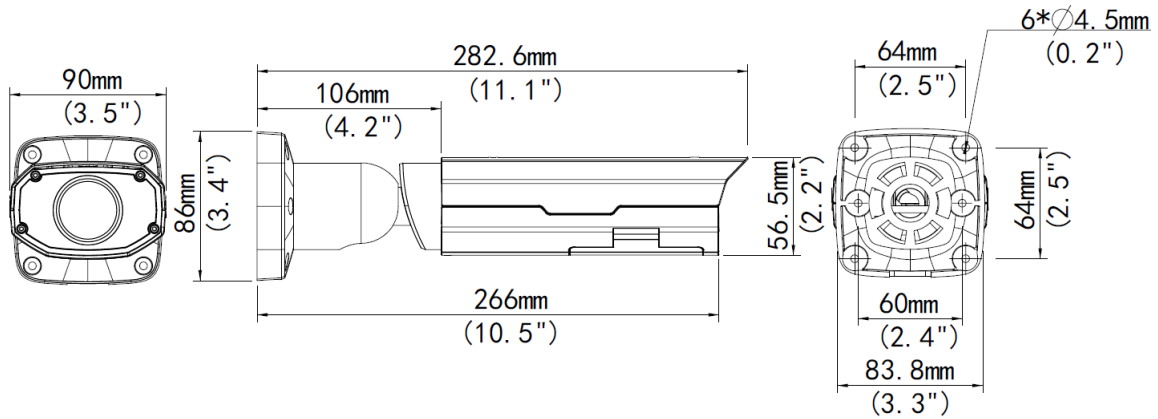
- AC 24V /DC 12 V/PoE with uninterruptible power supply
- Wide temperature range: -40°C to 60°C (-40°F to 140°F)
- Wide voltage range of $\pm 25\%$
- 6 KV surge protection designed for network interface
- IP66-rated

Specifications

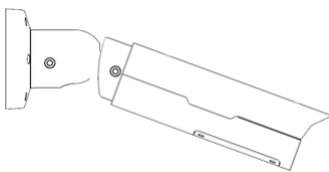
	IPC242ER5-DL
Camera	
Sensor	1/2.8", 2Megapixel, progressive scan CMOS
Shutter	Auto/Manual, 1/6~1/8000 s
Lens	7 ~ 22 mm@F1.4; Angle of View (H): 43°~ 14°
Zoom/Focus	Manual
Min. Illumination	Color: 0.02 Lux (F1.4, 50IRE) Black & White: 0.008Lux (F1.4, 50IRE)
Day/Night	IR-cut filter with auto switch (ICR)
S/N	>52dB
Wide Dynamic Range	120 dB
IR	Smart-IR ,up to 50m (164 ft) IR range
Video	
Max. Resolution	1920 × 1080
Video Compression	H.264,MJPEG
Frame Rate	1080P (1920*1080) 30 fps; 720P (1280*720) 30 fps; D1 (720*576) 25 fps
9:16 Corridor Mode	Support
ROI	Support
Video Streaming	Dual
OSD	Up to 8 OSDs
Privacy Mask	Up to 4 areas
Audio	
Audio Compression	G.711
Two-way Talking	Support
Storage	
Edge Storage	Micro SD, up to 32 GB
Back-end Storage	Dual direct-to-iSCSI data block storage
Cache Post Recording	Support
Network	
Protocols	L2TP,IPv4,IGMP,ICMP,ARP,TCP,UDP,DHCP,PPPoE,RTP,RTSP,Qos,NTP,FTP,HTTP,SNMP,SIP
Compatible Integration	ONVIF, IMOS,API
Interface	
Audio I/O	3.5 mm audio interface
	Input: impedance 35 kΩ; amplitude 2 V [p-p]
	Output: impedance 600 Ω; amplitude 2 V [p-p]
Alarm I/O	2 / 1
Serial Port	1 RS485
Network	10M/100M Base-TX Ethernet
Video Output	1 BNC, impedance 75 Ω; amplitude 1 V [p-p]
General	
Power Supply	12 V DC, 24 V AC or PoE (IEEE802.3 af)
	Power consumption: 4.5 W (with IR on: extra 6.5 W)

Dimensions (L × W × H)	282.6 × 90 × 86 mm (11.1" × 3.5" × 3.4")
Weight	1.2 kg (2.6 lb)
Working Environment	-40°C ~ +60°C (-40°F ~ 140°F), Humidity ≤ 90% RH(non-condensing)
Ingress Protection	IP66

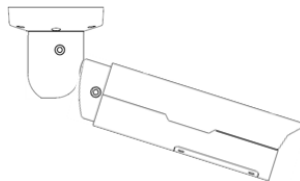
Dimensions



Installation



Wall mount



Ceiling mount

Accessories

Installation mode	Accessories	Description
Wall mount	/	Mounting pedestal is included in the Product package
Ceiling mount	/	Mounting pedestal is included in the Product package
Rail mount	TR-UP06-A	For outdoor rail installation
Pole mount	TR-UP06-A	For outdoor pole installation

Zhejiang Uniview Technologies Co., Ltd.

South Tower, Building 10, Wanlun Science Park, 88 Jiangling Road, Hangzhou, P.R.China 310051

Email: overseasbusiness@uniview.com; globalsupport@uniview.com

<http://www.uniview.com>

©2013 Zhejiang Uniview Technologies Co., Ltd. All rights reserved.

*Product specifications and availability are subject to change without notice.