

IPC322E-IR-F36(60)-IN2MP Vandal-resistant Network IR Fixed Dome Camera



Key Features

Optics

- Day/night functionality
- SmartIR, up to 30 m (98 ft) IR distance
- 3D DNR (Digital Noise Reduction)

Compression

- Dual streams
- ROI (Region of Interest)
- Customized OSD

Network

- NAA (Network Auto-Adaptability) to cope with up to 5% network packet loss
- UNP(Universal Network Passport) patented technology for NAT traversal
- Dual direct-to-iSCSI data block storage
- ONVIF Conformance

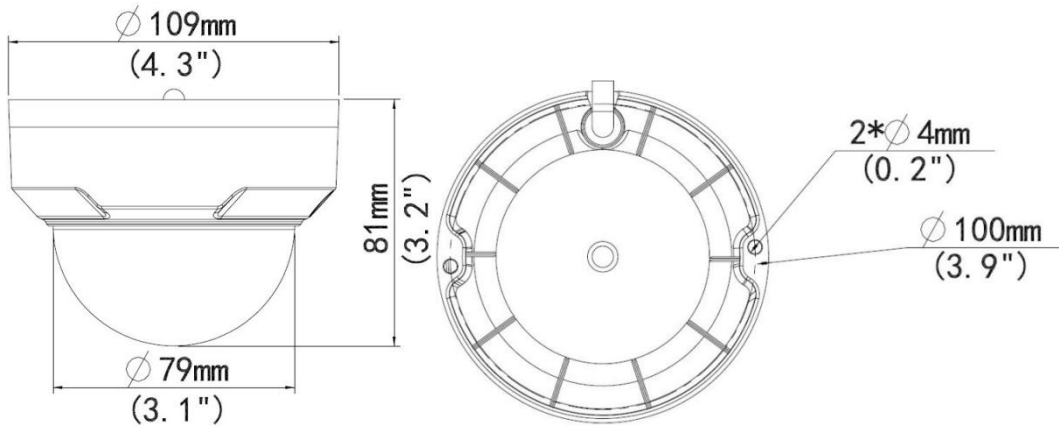
Structure

- Wide temperature range: -30°C to 60°C (-22°F to 140°F)
- Wide input voltage range of $\pm 25\%$
- IK10 vandal resistant
- IP66-rated

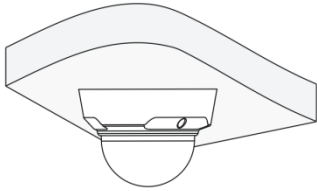
Specifications

	IPC322E-IR-F36-IN	IPC322E-IR-F60-IN
Camera		
Sensor	1/2.8", 2Megapixel, progressive scan CMOS	
Shutter	Auto/Manual, 1/6~1/8000 s	
Lens	3.6mm	6 mm
Angle of View (H)	84.7°	53.2°
Day/Night	IR-cut filter with auto switch (ICR)	
Min. Illumination	Color: 0.06 Lux (F1.6, 50IRE) Black & White: 0.03Lux (F1.6, 50IRE)	
S/N	>52dB	
Image Rotation	Support	
Video		
Max. Resolution	1920 × 1080	
Video Compression	H.264,MJPEG	
Frame Rate	1080P (1920*1080) 30 fps; 720P (1280*720) 30 fps; D1 (720*576) 25 fps	
Video Streaming	Dual	
OSD	Up to 8 OSDs	
Privacy Mask	Up to 4 areas	
Audio		
Audio Compression	G.711	
Two-way Talking	Support	
Storage		
Back-end Storage	Dual direct-to-iSCSI data block storage	
Network		
Protocols	L2TP,IPv4,IGMP,ICMP,ARP,TCP,UDP,DHCP,PPPoE,RTP,RTSP,Qos,NTP,FTP,HTTP,SNMP,SIP	
Compatible Integration	ONVIF, IMOS,API	
Interface		
Audio I/O	Input: impedance 35 kΩ; amplitude 2 V [p-p]	
	Output: impedance 600 Ω; amplitude 2 V [p-p]	
Alarm I/O	1/ 1	
Network	10M/100M Base-TX Ethernet	
General		
PowerSupply	12 V DC, or PoE (IEEE802.3 af)	
	Power consumption: 3.5 W (with IR on: extra2 W)	
Dimensions (Ø x H)	Ø109 x 81 mm (Ø4.3" x 3.2")	
Weight	0.45 kg (0.99 lb)	
Working Environment	-30°C ~ +60°C (-22°F ~ 140°F), Humidity ≤ 90% RH(non-condensing)	
Vandal Resistant	IK10	
Ingress Protection	IP66	

Dimensions



Installation



Ceiling mount

Accessories

Installation mode	Accessories	Description
Ceiling mount	Mounting pedestal is included in the Product package	/

Zhejiang Uniview Technologies Co., Ltd.

South Tower, Building 10, Wanlun Science Park, 88 Jiangling Road, Hangzhou, P.R.China 310051

Email: overseasbusiness@uniview.com; globalsupport@uniview.com

<http://www.uniview.com>

©2013 Zhejiang Uniview Technologies Co., Ltd. All rights reserved.

*Product specifications and availability are subject to change without notice.