

# IPC241E-IR(-Z)-IN 1.3MP (Motorized)VF Network IR Bullet Camera



## Key Features

### Optics

- Smart IR, up to 30m (98 ft) IR distance
- Built-in motorized lens for remote zoom and autofocus (-Z model support)
- Optical glass window with higher light transmittance
- IR anti-reflection window to increase the infrared transmittance

### Compression

- H.264 High Profile
- Triple streams
- ROI (Region of Interest)
- 9:16 corridor mode
- Customized OSD

### Network

- ONVIF Conformance

### Structure

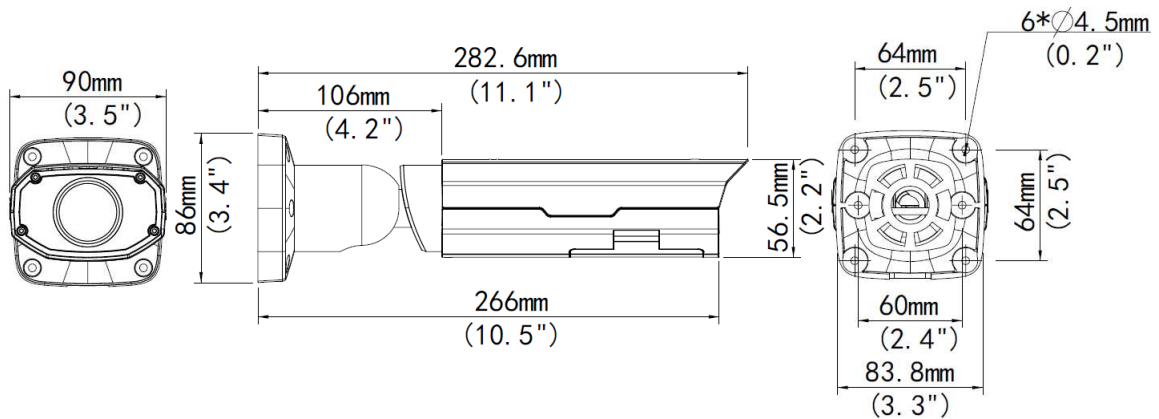
- AC 24V /DC 12 V/PoE with uninterruptible power supply
- Wide temperature range: -40°C to 60°C (-40°F to 140°F)
- Wide voltage range of  $\pm 25\%$
- 6 KV surge protection designed for network interface
- IP66

## Specifications

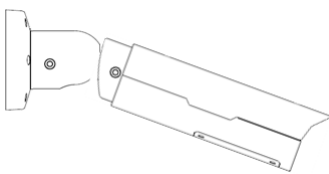
	IPC241E-IR-IN	IPC241E-IR-Z-IN
<b>Camera</b>		
Sensor	1/3", 1.3 megapixel, progressive scan, CMOS	
Shutter	Auto/Manual, 1/6~1/8000 s	
Lens	3 ~10.5 mm, F1.4	2.8~12 mm, F1.4
Zoom/Focus	Manual	Motor drive
Angle of View (H)	91.2° (wide)~ 25.5° (tele)	90° (wide) ~ 28° (tele)
Min. Illumination	Colour: 0.03 Lux (F1.4, 50IRE) Black & White: 0.01Lux (F1.4, 50IRE)	
Day/Night	IR-cut filter with auto switch (ICR)	
S/N	>50dB	
IR	Smart-IR ,up to 30m (98 ft) IR range	
<b>Video</b>		
Max. Resolution	1280 × 960	
Video Compression	H.264,MJPEG	
Frame Rate	960P (1280*960) 30 fps; 720P (1280*720) 30 fps; D1 (720*576) 25 fps	
9:16 Corridor Mode	Supported	
ROI	Supported	
Video Streaming	Triple	
OSD	Up to 8 OSDs	
Privacy Mask	Up to 8 areas	
<b>Audio</b>		
Audio Compression	G.711	
Two-way audio	Supported	
<b>Storage</b>		
Edge Storage	Micro SD, up to 64 GB	
<b>Network</b>		
Protocols	L2TP,IPv4,IGMP,ICMP,ARP,TCP,UDP,DHCP,PPPoE,RTP,RTSP,Qos,NTP,FTP,HTTP,SNMP,SIP	
Compatible Integration	ONVIF, IMOS,API	
<b>Interface</b>		
Audio I/O	3.5 mm audio interface	
	Input: impedance 35 kΩ; amplitude 2 V [p-p]	
	Output: impedance 600 Ω; amplitude 2 V [p-p]	
Alarm I/O	2 / 1	
Serial Port	1 RS485	
Network	10M/100M Base-TX Ethernet	
Video Output	1 BNC, impedance 75 Ω; amplitude 1 V [p-p]	
<b>General</b>		
Power	12 V DC, 24 V AC or PoE (IEEE802.3 af)	
	Power consumption: 4.5 W (11W with IR on)	
Dimensions (L × W × H)	282.6 ×90 ×86 mm (11.1" × 3.5" × 3.4")	

Weight	1.2 kg (2.6 lb)
Working Environment	-40°C ~ +60°C (-40°F ~ 140°F), Humidity ≤ 90% RH(non-condensing)
Ingress Protection	IP66

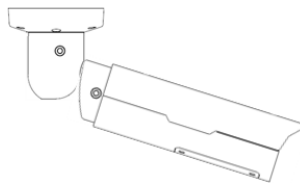
## Dimensions



## Installation



Wall mount



Ceiling mount

## Accessories

Installation mode	Accessories	Description
Wall mount	/	Mounting pedestal is included in the Product package
Ceiling mount	/	Mounting pedestal is included in the Product package
Rail mount	TR-UP06-A	For outdoor rail installation
Pole mount	TR-UP06-A	For outdoor pole installation

### Zhejiang Uniview Technologies Co., Ltd.

South Tower, Building 10, Wanlun Science Park, 88 Jiangling Road, Hangzhou, P.R.China 310051

Email: [overseasbusiness@uniview.com](mailto:overseasbusiness@uniview.com); [globalsupport@uniview.com](mailto:globalsupport@uniview.com)

<http://www.uniview.com>

©2015 Zhejiang Uniview Technologies Co., Ltd. All rights reserved.

\*Product specifications and availability are subject to change without notice.