



5200mAh Power Bank

TL-PB5200

Highlights

- Your Reliable Stand-Alone Power Solution on the Move
- Smart Charging
- Fastest Charging and Recharging Speed for Its Category
- 6 in 1 Safety Protection
- Compatible with iPhone, iPad, Android Smartphones and most 5V Input Digital Devices



Smart Charging



Fast Charging



Reliable Charging

Features



Smart Charging

Smart Charging technology identifies your digital devices, and delivers the fastest possible charge for when you need it the most.



Fastest Charging and Recharging Speed

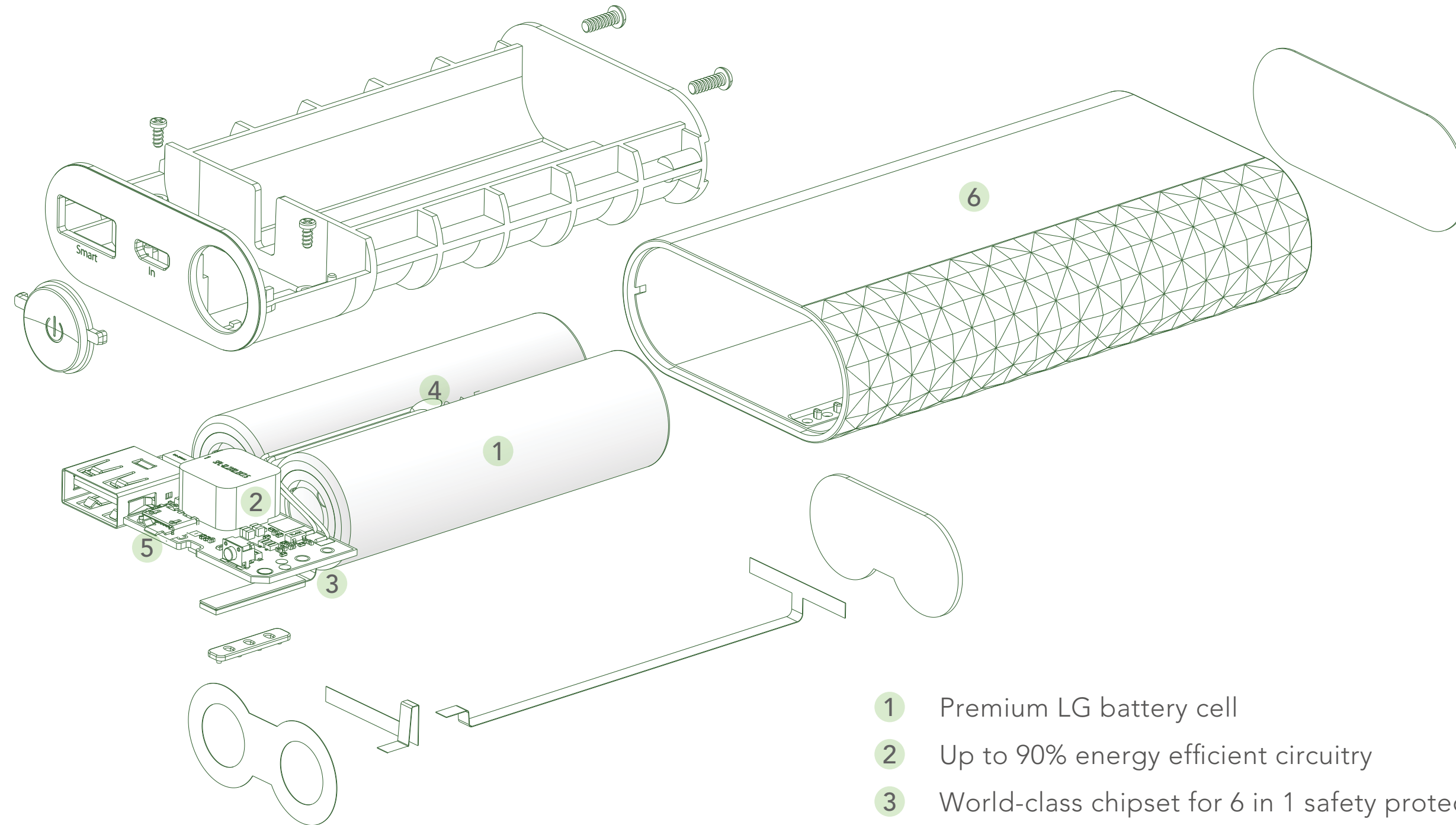
Supporting an input/output current up to 5V/2.4A, TL-PB5200 boasts the fastest charging and recharging speed for its category. TL-PB5200 is capable of charging phones and tablets at the fastest/maximum speed that they are designed to be charged at, helping you get the most out of all your devices in the fastest time possible. The TL-PB5200 promises lightning fast recharging with the ability to recharge itself from empty to 90% in less than 2 hours with a 5V/2.4A power adapter.



6 in 1 Safety Protection

TL-PB5200 is a reliable power bank with superior quality that comes equipped with complete safety protection against damage caused by: short circuit, over-voltage, over-current, over-charge, over-discharge, and over-heating.

Superior Quality



- 1 Premium LG battery cell
- 2 Up to 90% energy efficient circuitry
- 3 World-class chipset for 6 in 1 safety protection
- 4 Thermistor for over-heat detection
- 5 Smart Charging device detection technology
- 6 Flame-retardant, wear-resistant casing

Specifications

Basic

Capacity:	5200mAh
Dimensions:	92.7x53.5x22mm
Weight:	135g
Interface:	1 Micro USB port, 1 USB 2.0 port
Input:	DC 5V/2.4A
Output:	DC 5V/2.4A
Lights:	4 Stages Smart LED Indicators show battery level or charging status
Button:	1 button to display the battery capacity
Compatibility:	iPhone, iPad, most Android devices

Others

Package includes:	<ul style="list-style-type: none">- TP-LINK 5200mAh Power Bank TL-PB5200- Micro USB cable- User Guide
Environment:	<ul style="list-style-type: none">- Operating Temperature: 0°C~40°C (32°F~104°F)- Storage Temperature: -20°C~70°C (-4°F~158°F)- Operating Humidity: 10%~90% non-condensing- Storage Humidity: 5%~90% non-condensing

Description

TL-PB5200 is a reliable, high capacity 5200mAh power bank ready to power your digital life. TL-PB5200 is housed in an attractive, ergonomically designed casing with gently rounded sides that fit perfectly in your palm, making for a more comfortable user experience.

Besides fastest charging and recharging speed for its category, the TL-PB5200 comes fully armed with a range of exciting features, such as Smart Charging 6 in 1 safety protection, up to 90% energy efficiency rate, and increased compatibility to work with your most personal digital devices.

Similar Products



TL-PB10400



TL-PB5200



TL-PB2600

Capacity

10400mAh

5200mAh

2600mAh

Input

5V/2A

5V/2.4A

5V/1A

Output

5V/2A + 5V/1A

5V/2.4A

5V/1A

Interface

2 USB 2.0 Ports
1 Micro USB Port

1 USB 2.0 Port
1 Micro USB Port

1 USB 2.0 Port
1 Micro USB Port

Size

44.3x44.3x88.8mm

92.7x53.5x22mm

25.6x25.6x93.5mm

Weight

241g

135g

68g

Smart Charging

√

√

-

6 in 1 Safety Protection

√

√

√

Remark

Dual Output Charging
Flashlight

Fastest charging and
recharging for its category

An extremely compact power bank
housed in a lipstick style casing



For more information, please visit

<http://WWW.TP-LINK.COM/en/products/details/?model=TL-PB5200>

or scan the QR code on the left

www.tp-link.com

Specifications are subject to change without notice. TP-LINK is a registered trademark of TP-LINK Technologies CO., Ltd. Other brands and product names are trademarks or registered trademarks of their respective holders. No part of the specifications may be reproduced in any form or by any means or used to make any derivative such as translation, transformation, or adaptation without permission from TP-LINK Technologies CO., Ltd.