

4MP WDR Network IR Mini Bullet Camera

IPC2124SR3 Series



Key Features

Optics

- Day/night functionality
- Smart IR , up to 30 m (98 ft) IR distance
- Optical glass window with higher light transmittance
- IR anti-reflection window to increase the infrared transmittance
- 3D DNR (Digital Noise Reduction)

Compression

- H.265, H.264, MJPEG
- Embedded smart algorithm
- Triple streams
- 9:16 corridor format

Network

- ONVIF Conformance

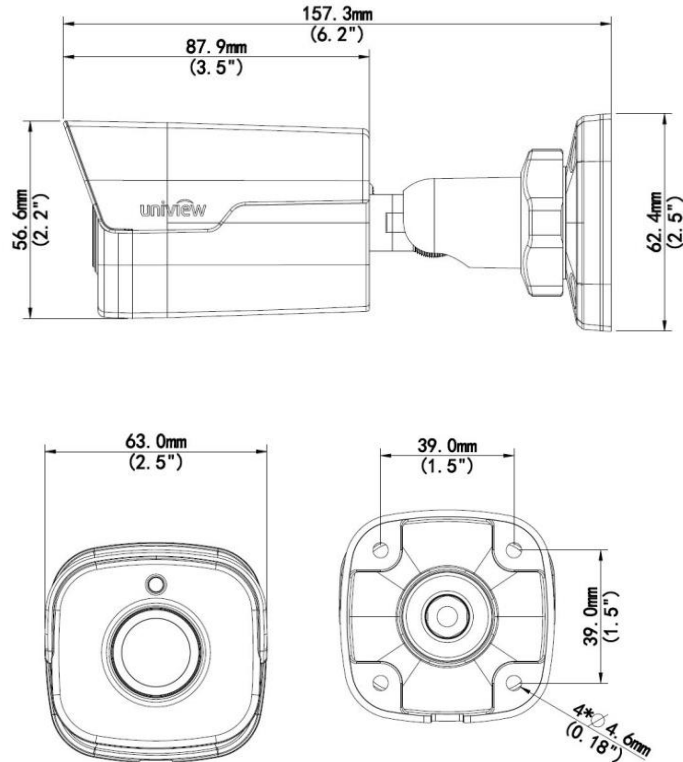
Structure

- Wide temperature range: -35°C to 60°C (-31°F to 140°F)
- Wide voltage range of $\pm 25\%$
- IP66

Specifications

	IPC2124SR3-DPF36	IPC2124SR3-DPF60	IPC2124SR3-DPF120
Camera			
Sensor	1/3", 4.0 megapixel, progressive scan, CMOS		
Lens	3.6mm@F1.8 Angle of view(H): 87°	6.0mm@F1.8 Angle of view(H): 62°	12.0mm@F1.8 Angle of view(H): 25°
Shutter	Auto/Manual, 1/6~1/8000 s		
Min. Illumination	Colour: 0.02 Lux (F1.8, AGC ON) 0 Lux with IR on		
Day/Night	IR-cut filter with auto switch (ICR)		
IR Range	Up to 30m (98 ft) IR range		
S/N	>55dB		
WDR	120dB		
Noise Reduction	2D/3D		
Video			
Max. Resolution	2592×1520		
Video Compression	H.265/H.264/MJPEG		
Frame Rate	4MP (2592×1520): Max. 20 fps; 4MP (2560×1440): Max. 25 fps 3MP (2048×1520): Max. 30 fps; 1080P (1920×1080): Max. 30 fps		
Video Streaming	Triple		
9:16 Corridor Mode	Supported		
ROI	Supported		
OSD	Up to 8 OSDs		
Motion Detection	Up to 2 areas		
Privacy Mask	Up to 4 areas		
Smart			
Behavior Detection	Intrusion, crossing line, motion detection		
Intelligent Identification	Face detection		
Statistical Analysis	People counting		
Network			
Protocols	L2TP, IPv4, IGMP, ICMP, ARP, TCP, UDP, DHCP, PPPoE, RTP, RTSP, RTCP, DNS, DDNS, NTP, FTP, UPnP, HTTP, HTTPS, SMTP, SIP, 802.1x		
Compatible Integration	ONVIF, API		
Interface			
Network	1 RJ45 10M/100M Base-TX Ethernet		
General			
Power	12 V DC, or PoE (IEEE802.3 af)		
	Power consumption: Max 6.4 W		
Dimensions (L × W × H)	157.3 × 62.4 × 63 mm (6.2" × 2.5" × 2.5")		
Weight	0.45 kg (0.99 lb)		
Working Environment	-35°C ~ +60°C (-31°F ~ 140°F), Humidity ≤ 95% RH(non-condensing)		
Ingress Protection	IP66		

Dimensions



Accessories

Installation mode	Accessories	Description
Wall mount	Mounting pedestal is included in the Product package	\
Ceiling mount	Mounting pedestal is included in the Product package	\

Zhejiang Uniview Technologies Co., Ltd.

Building No.10, Wanlun Science Park, Jiangling Road 88, Binjiang District, Hangzhou, Zhejiang, China (310051)

Email: overseasbusiness@uniview.com; globalsupport@uniview.com

<http://www.uniview.com>

©2015 Zhejiang Uniview Technologies Co., Ltd. All rights reserved.

*Product specifications and availability are subject to change without notice.