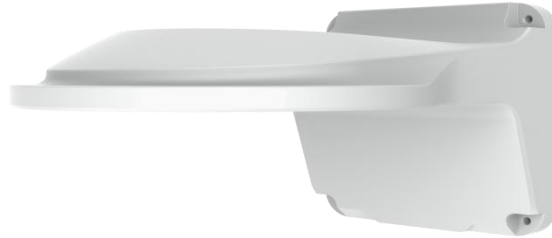


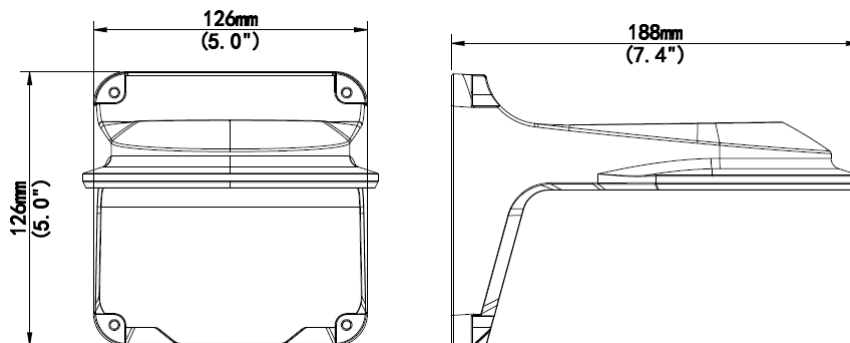
# TR-WM03-IN 3-inch Fixed Dome Indoor Wall Mount



## Specifications

Bracket	TR-WM03-IN
Application	Indoor, wall installation for 3-inch fixed dome
Dimensions	188mmx126mmx126mm (7.4" x5" x5")
Weight	0.44kg(0.97lb)
Material	Aluminum alloy

## Dimensions



### Zhejiang Uniview Technologies Co.,Ltd.

South Tower, Building 10, Wanlun Science Park, 88 Jiangling Road, Hangzhou, P.R.China 310051

Email: [overseasbusiness@uniview.com](mailto:overseasbusiness@uniview.com); [globalsupport@uniview.com](mailto:globalsupport@uniview.com)

<http://www.uniview.com>

©2015 Zhejiang Uniview Technologies Co.,Ltd. All rights reserved.

\*Product specifications and availability are subject to change without notice.