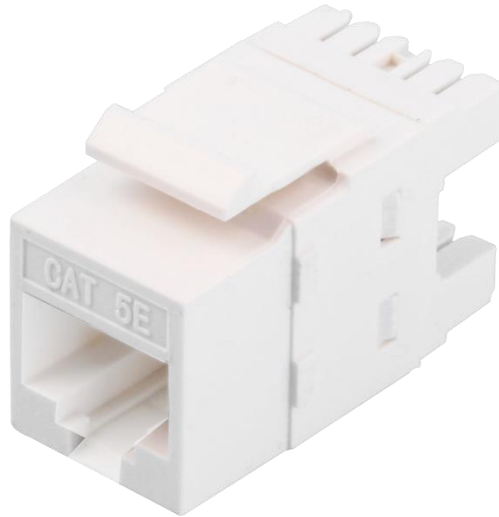


DH-PFM970-5EU

UTP CAT5E Information Module



Features

- UTP CAT5E information module (RJ45 keystone modular jack), can be used for patch panels, wall plates or surface mount boxes
- Support 100MHz bandwidth and meet the TIA/EIA-568-B.2 requirements
- Support T568A and T568B wiring with color coded 110 blocks
- Support 110 or Krone dual type termination
- Easy snap-in retaining clip and gold plated contacts
- Compact design
- Package include: 30pcs*information modules

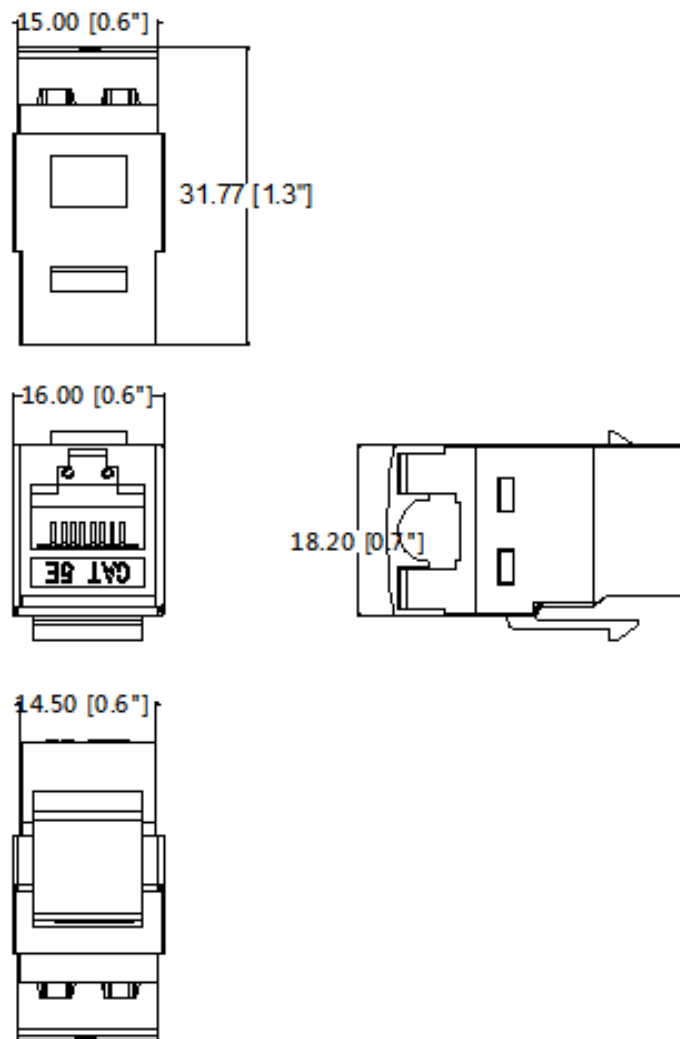
Technical Specifications

Model	DH-PFM970-5EU
Basic information	
Gold plated	50μ inches gold-plating
PCB	FR-4 A1
IDC socket	Phosphor bronze
Wiring mode	Standard information module, T568A/T568B
Wire gauge	22~26 AWG solid wire
Mechanical property	
Voltage rating	DC:1000V (AC:750V),1 minute, no spark-over and flying arc
Insertion life	>1000 Mating Cycles
IDC connection life	>300 Cycles
Housing attribute	
Body material	High impact PC
Color	White
Environment	
Working temperature	-10°C(14°F)~+55°C(131°F)
Storage temperature	-40°C(40°F)~+80°C(176°F)
Humidity	0~95%

Order Information

Type	Part Number	Description
Cabling Series	DH-PFM970-5EU	UTP CAT5E information module
	PFM970-5EU	UTP CAT5E information module
	DH-PFM971-1	Network wall plate(1 port)
	PFM971-1	Network wall plate(1 port)
	DH-PFM971-2	Network wall plate(2 port)
	PFM971-2	Network wall plate(2 port)
	DH-PFM972-5EU-1	1m UTP CAT5E Patch Cord
	PFM972-5EU-1	1m UTP CAT5E Patch Cord
	DH-PFM972-5EU-2	2m UTP CAT5E Patch Cord
	PFM972-5EU-2	2m UTP CAT5E Patch Cord
	DH-PFM972-5EU-3	3m UTP CAT5E Patch Cord
	PFM972-5EU-3	3m UTP CAT5E Patch Cord
	DH-PFM973M-5EU-24	24-Port UTP CAT5E rackmount patch panel
	PFM973M-5EU-24	24-Port UTP CAT5E rackmount patch panel

Dimensions (mm/inch)



Package Information

- UTP CAT5E Information modules DH-PFM970-5EU *30pcs